

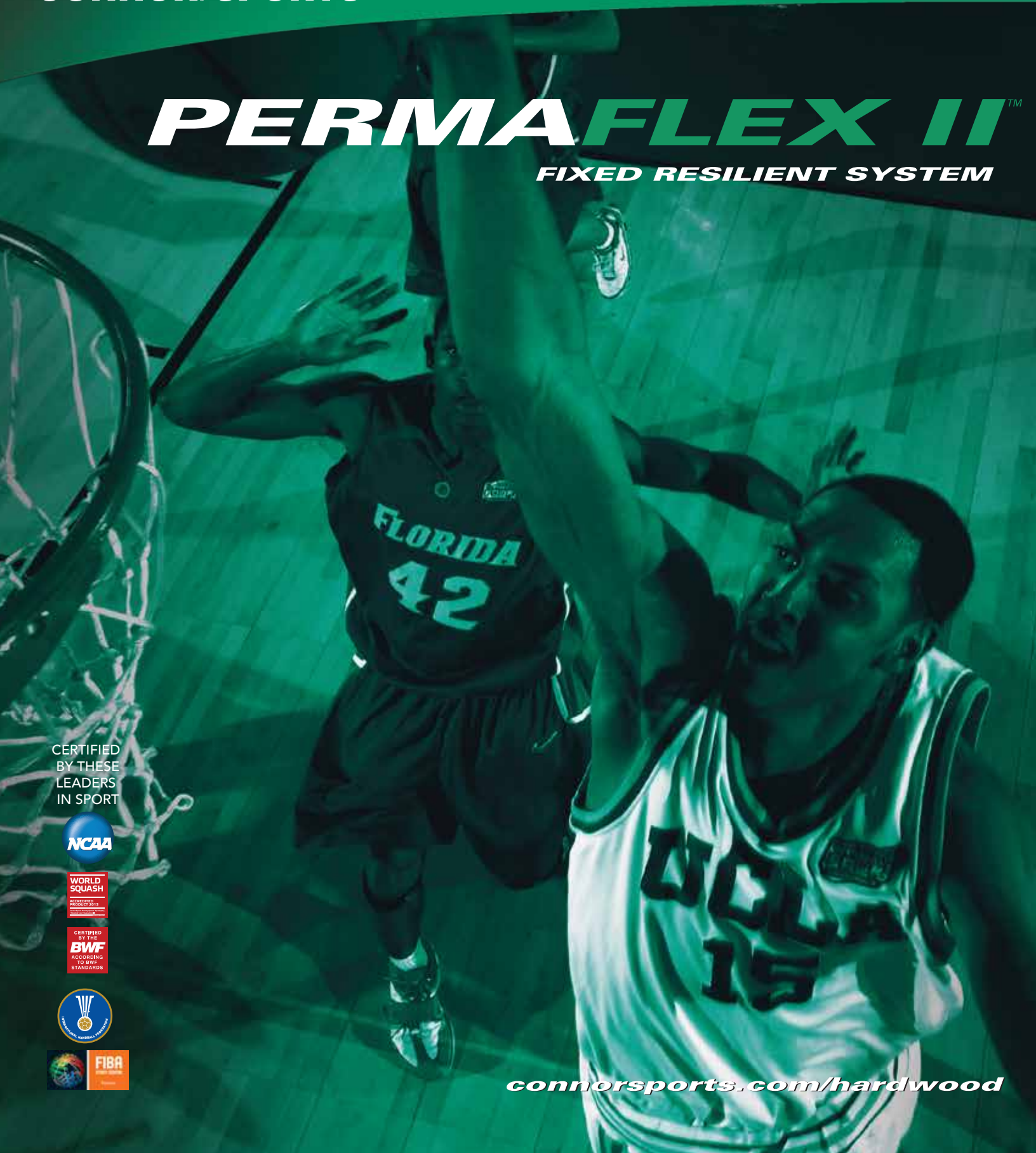


**CONNOR® SPORTS**

# **HARDWOOD SYSTEMS**

## **PERMAFLEX II™**

**FIXED RESILIENT SYSTEM**



CERTIFIED  
BY THESE  
LEADERS  
IN SPORT



[connorsports.com/hardwood](http://connorsports.com/hardwood)

# PERMAFLEX II™

## FIXED RESILIENT SYSTEM

Connor Sports • 800.283.9522 • 847.290.9020 • info@connorsports.com • connorsports.com/hardwood



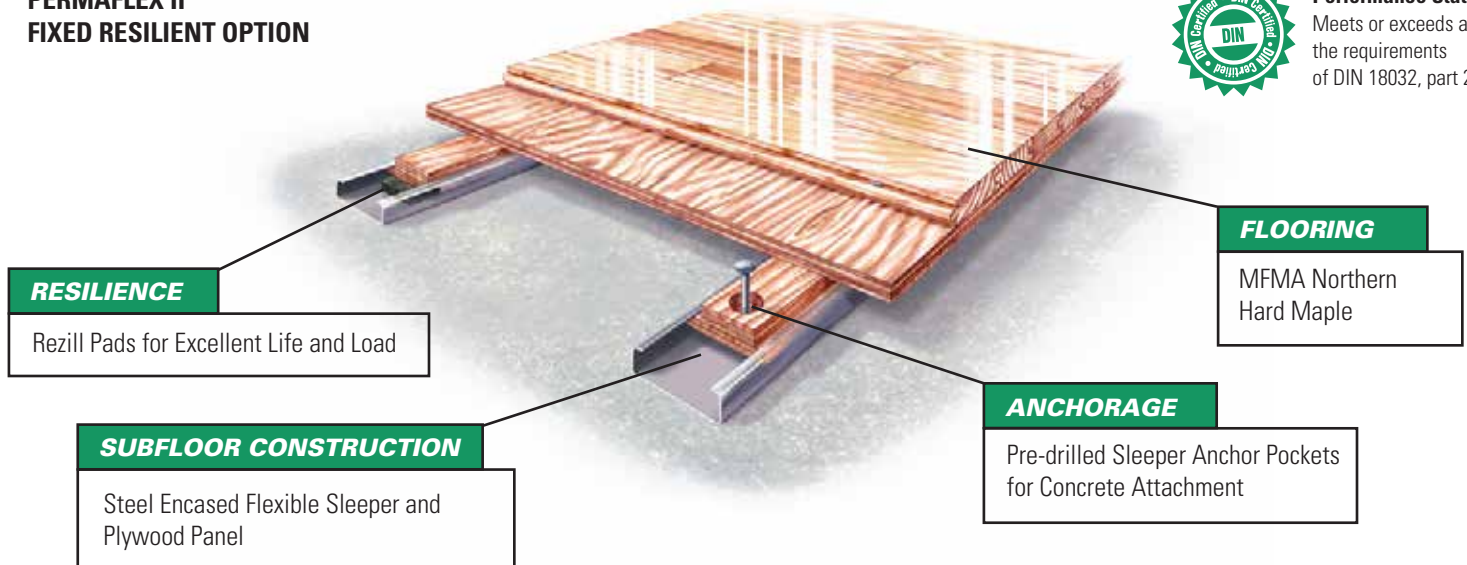
PermaFlex II includes steel encased plywood sleepers and a full subfloor layer supported by resilient Rezill pads.

A fixed resilient floor system offering environmental stability combined with high shock absorbing resiliency.

### PERMAFLEX II FIXED RESILIENT OPTION

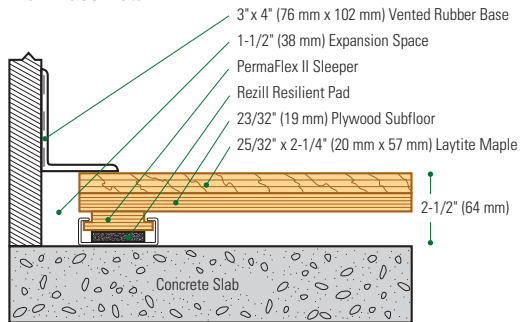


**Performance Status:**  
Meets or exceeds all the requirements of DIN 18032, part 2

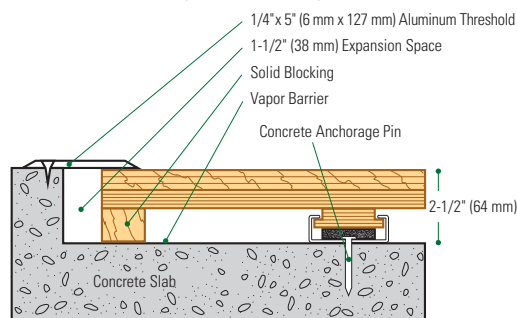


Slab Depression: 15/32" (12 mm) Plywood: 25/32" (20mm) flooring – 2-1/2" (64mm), 33/32" (26mm) flooring – 2-3/4" (70mm) • 23/32" (18 mm) Plywood: 25/32" (20mm) flooring – 2 3/4" (70mm), 33/32" (26mm) flooring – 3" (76mm)

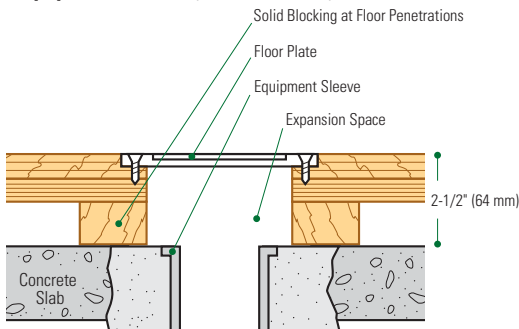
#### Wall Base Detail



#### Threshold Detail ( Optional Accessory )



#### Equipment Detail ( Optional Accessory )



**Manufacturing:**  
ISO 9001:2008  
CERTIFIED  
ISO 14001:2004  
CERTIFIED



**Recycled Contribution:**  
PermaFlex II Subfloor System includes components with recycled content



**Testing Laboratory:**  
United States Sports Surfacing Laboratory



**Certified Testing:**  
ISSS Scientific Body Membership



**Green Status**  
Managed Forests, Certification Available



**Environmental Product Declaration**  
The First Sports Floor Manufacturer to Publish UL Certified Product-Specific Environmental Performance In Compliance with LEED V.4