



CONNOR® SPORTS

HARDWOOD SYSTEMS

FOCUS II™

FIXED RESILIENT SYSTEM

CERTIFIED
BY THESE
LEADERS
IN SPORT



connorsports.com/hardwood

FOCUS II™

FIXED RESILIENT SYSTEM

Connor Sports • 800.283.9522 • 847.290.9020 • info@connorsports.com • connorsports.com/hardwood



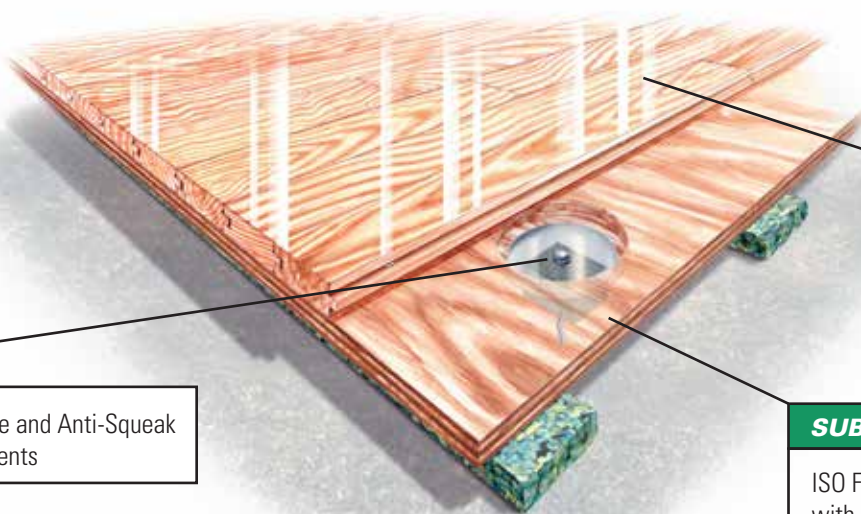
Focus II is a highly resilient hardwood athletic floor providing ISO factory manufactured subfloor panels having lineal resilient pads pre-attached running continuously wall to wall. Panels are

manufactured with inclusion of anchor pockets to accept special anchor and steel plate assemblies for attachment to concrete for added environmental stability.

FOCUS II FIXED RESILIENT SYSTEM



Performance Status:
Meets or exceeds all the requirements of DIN 18032, part 2



ANCHORAGE

Heavy-Duty Steel Plate and Anti-Squeak Concrete Pin Attachments

FLOORING

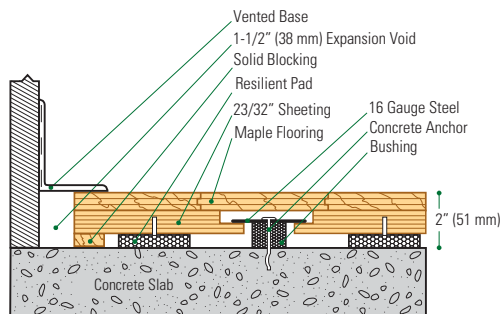
MFMA Northern Hard Maple

SUBFLOOR CONSTRUCTION

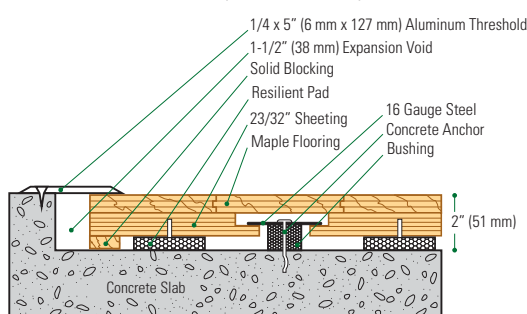
ISO Factory Machined Plywood Panels with Anchor Pockets Provided

Slab Depression: 25/32" (20mm) flooring – 2" (51mm) • 33/32" (26mm) flooring – 2-1/4" (57mm)

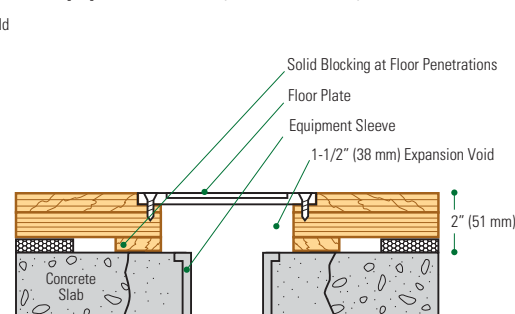
Wall Base Detail



Threshold Detail (Optional Accessory)



Equipment Detail (Optional Accessory)



Manufacturing:
ISO 9001:2008
CERTIFIED
ISO 14001:2004
CERTIFIED



Recycled Contribution:
Focus II Subfloor System includes components with recycled content



Testing Laboratory:
United States Sports Surfacing Laboratory



Certified Testing:
ISSS Scientific Body Membership



Green Status
Managed Forests, Certification Available



Environmental Product Declaration
The first sports floor manufacturer to publish UL certified product-specific environmental performance in compliance with LEED V.4